

JC22 Fingertip Dual Axis Joystick

- Dual axis finger-touch micro-switch
- Working voltage : DC5V~16V
- Electrical angle : $36.67^{\circ} \pm 2^{\circ}$
- Total resistance : 3K; 5K; $10 \pm 20\%K \Omega$
- Linearity : $\leq \pm 1\%$
- Working temperature : $-40 \sim +120^{\circ}\text{C}$
- Protection class : IP65
- Lifetime : $\geq 5,000,000$ times
- Weight: approximate 245g
- Electromagnetic interference shielding, high reliability
- Switch output allowed
- Precise potentiometer, with high resolution
- Electromagnetic interference shielding, high reliability
- Fiber reinforced nylon plastic, high strength, can be used in harsh conditions

Performance Data

Electrical Data

Supply voltage	DC5	V
Maximum supply voltage	DC16	V
Total resistance	3 ; 5 ; 10	K Ω
Resistance tolerance	± 20	%
Linearity	± 0.1	%
Electrical angle	± 36.67	$^{\circ}$
Output smoothness	≤ 0.5	%
Repeatability	≤ 0.1	%
Wiper working current	$1 \leq$	μA
Maximum wiper working current	10mA	mA
Insulating Resistance	$\geq 10(500\text{V})$	M Ω

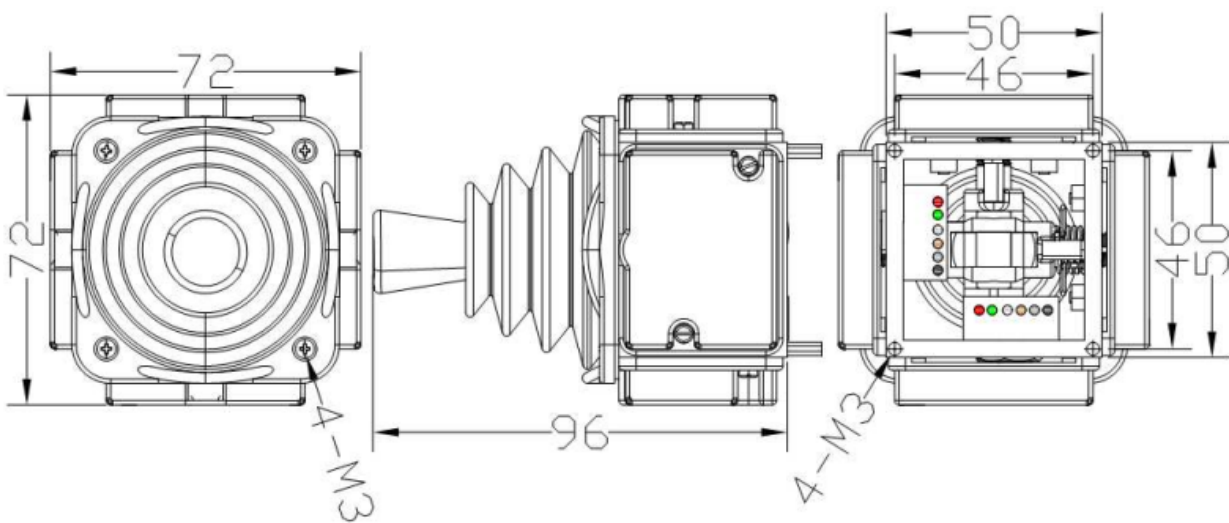
Working Environmental Data

Lifetime	$\geq 5,000,000$	Times
Working temperature	$-40 \sim +120$	$^{\circ}\text{C}$
Vibration	f : $5 \sim 2000\text{Hz}$, a : 200m/s^2 , T:15min, Vibration duration: 20h for X, Y, Z direction each	
Protection class	IP65	

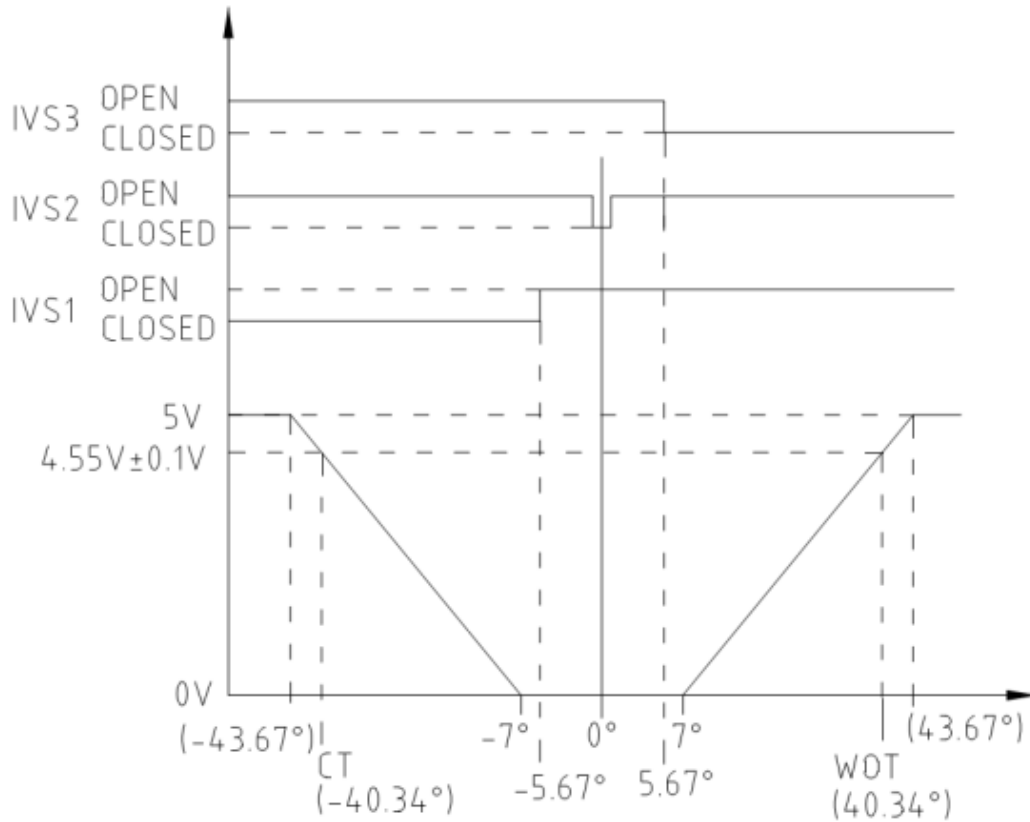




Mechanical Dimensions



Output Signal Characteristics Curve



Output Signal Characteristics Curve

